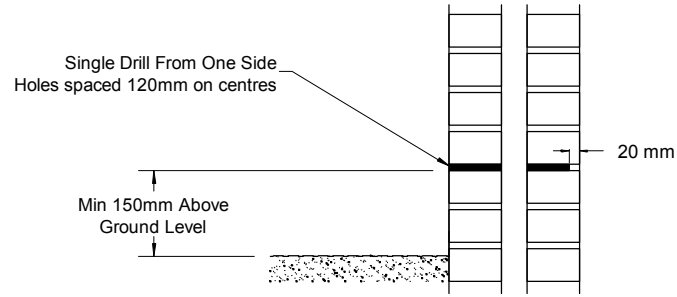
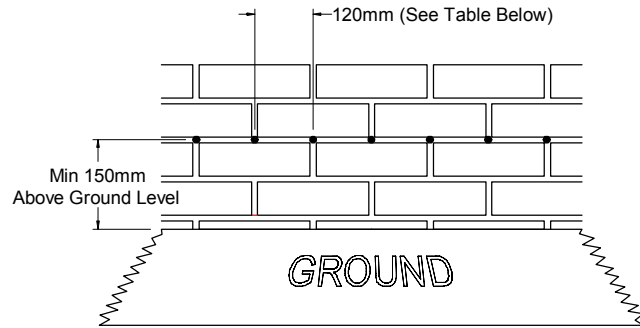


THIS DRAWING IS THE PROPERTY OF SAFEGUARD AND MUST NOT BE LOANED OR COPIED WITHOUT WRITTEN CONSENT

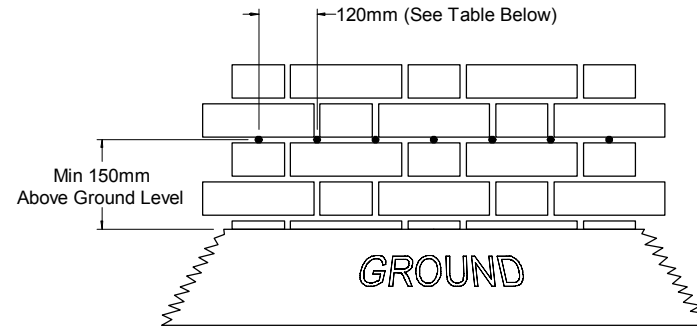
© 2007 SAFEGUARD EUROPE LTD



Cavity Wall



Stretcher Bond



Double Flemish Bond

Depth of 12mm Drill Hole Required for DryZone In Various Thickness of Wall				
<b>Wall Thickness</b>	4½" (110mm)	9" (220mm)	13½" (330mm)	18" (440mm)
<b>Depth of Hole Req'd</b>	100mm	190mm	310mm	430mm
<b>Hole Centres</b>	120mm	120mm	120mm	120mm

NOTES: All SAFEGUARD CAD drawings show typical applications and our Technical Department should be consulted before they are used for specification purposes.

Product applicators should refer to the manufacturer's application/installation guidelines.

System DZ-010(1).tw (TurboCAD)  
 Drg. Nos: DZ-010(1).dwg (Autocad)  
 DZ-010(1).pdf (Acrobat)

CLIENT:-

Safeguard Europe Ltd

CONTRACT No:

DRAWN JDF, CBS

DATE 30th March 2007

SCALE (A3) Not To Scale

CHECKED

APPROVED

TITLE:

Typical DryZone  
 Drilling Patterns



DRG. No.  
 DZ-010

REV  
 1

MOD. BY	DATE	CHK. BY	APP. BY	MOD. BY	DATE	CHK. BY	APP. BY	MOD. BY	DATE	CHK. BY	APP. BY